

American Solar[★]

Monocrystalline

ASW-30M

Engineered in the USA produced overseas



WHOLESALE

"QUALITY YOU CAN COUNT ON"



Features

- TUV, IEC, ISO, VDE, CE CERTIFIED
- High Module Conversion Efficiency
- Fast and Inexpensive Mounting
- Maximizes System Output by Reducing the Mismatch Loss.
- 100% EL Testing on All ASW Modules, Guaranteed No Hotspot
- Guaranteed Positive Output Tolerance (0+3%)
- Withstand High Wind (2400 Pa) and Snow Loads (5400 Pa)
- Excellent Performance in Low Light Environments

Function

- Off-grid
- RV and Boat
- 12 V Battery Charging

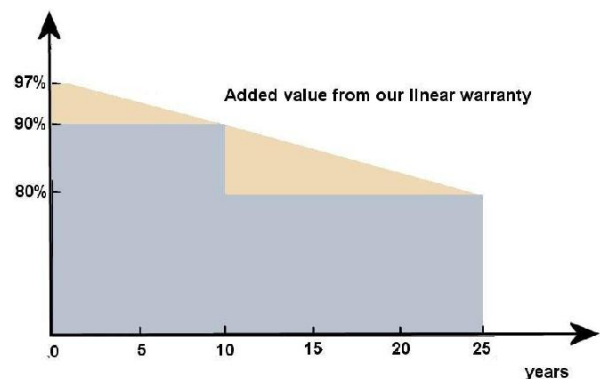
Precautions

Only qualified personnel should install or perform maintenance. Please read the American Solar Wholesale Installation Manual before installation. Be aware of dangerous high DC voltage; Do not install modules when wet or broken.

All ASW solar modules are guaranteed to perform for 25 years from the date of purchase. Performance standards insure linear production levels starting at 97.5% at the end of the first year and a maximum decrease of only .07% each year thereafter.

- 5 years at 95% or above
- 5 more years at 90% or above
- 15 more years at 80% or above
- 10 year material & workmanship guarantee

Linear Warranty



Electrical

Maximum Power at STC (Pmax)	30W
Optimum Operating Voltage (Vmp)	17.6 V
Optimum Operating Current (Imp)	1.71A
Open-Circuit Voltage (Voc)	21.6 V
Short-Circuit Current (Isc)	1.85 A
Maximum System Voltage	600 VDC

STC: Irradiance 1000 W/m², module temperature 25°C, AM=1.5

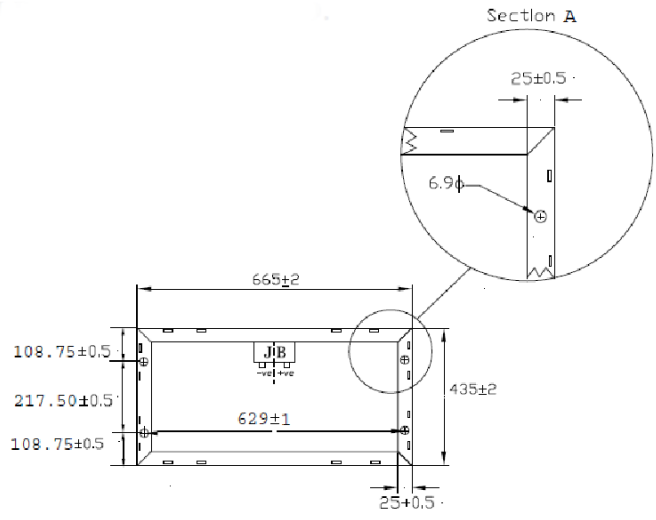
Mechanical

Solar Cell	Monocrystalline
No. of Cells	36
Dimensions	17" x 26" x 0.95" (Inch)
Weight	(6.97 lbs.)
Front Glass	3.2 mm (0.13 inches) tempered glass
Frame	Anodized aluminum alloy
Junction Box	IP65 rated
Output Cables	4.0 mm ² (0.006 inches ²), 36 inches long
Connectors	MC4 connectors
Fire Rating	Class A Depending on mounting

Maximum Ratings

Operating Module Temperature -40°C to +90°C

Diagram

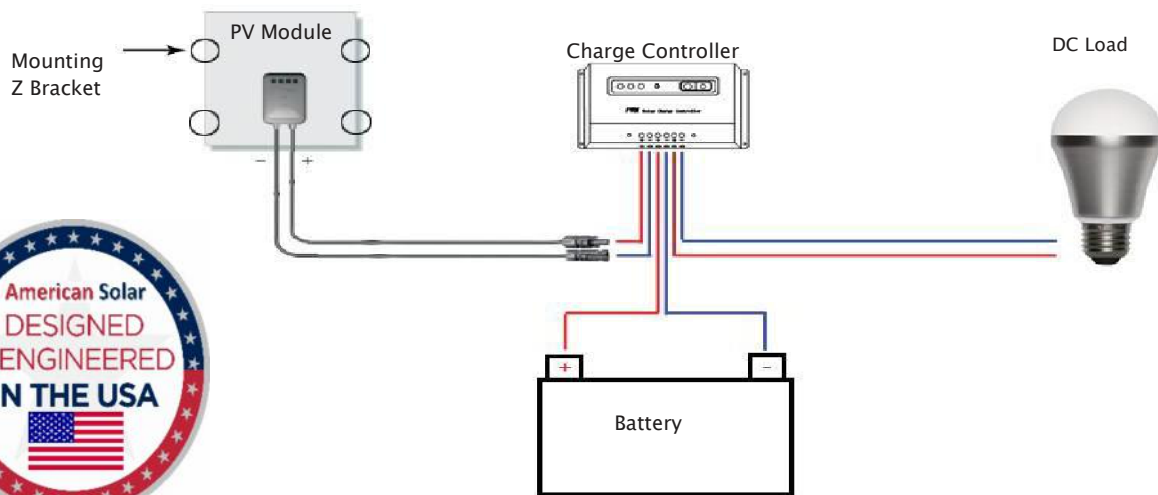


Dimensions are in mm.

Temperatures

Nominal Operating Cell Temperature (NOCT)	47±2°C
Temperature Coefficient of Pmax	-0.44%/°C
Temperature Coefficient of Voc	-0.30%/°C
Temperature Coefficient of Isc	0.04%/°C

Wiring Diagram



Our modules are certified by 5 testing organizations:

