

American Solar[★]

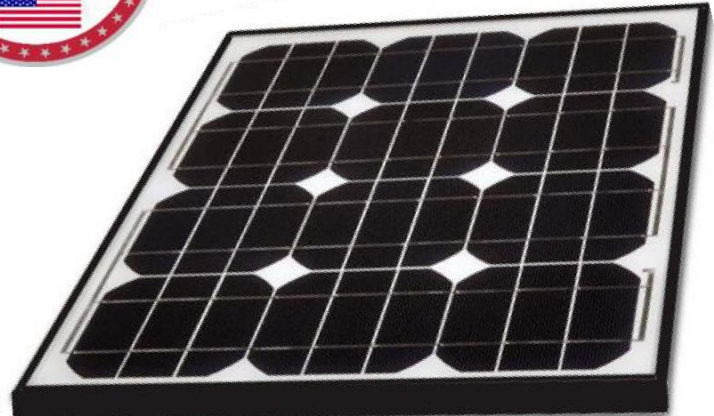
WHOLESALE

"QUALITY YOU CAN COUNT ON"

Monocrystalline

ASW-20M

Engineered in the USA & Made Abroad



Features

- TUV, CE, VDE, ISO, IEC CERTIFIED
- High Module Conversion Efficiency
- Fast and Inexpensive Mounting
- Maximizes System Output by Reducing the Mismatch Loss.
- 100% EL Testing on All ASW Modules, Guaranteed No Hotspot
- Guaranteed Positive Output Tolerance (0+3%)
- Withstand High Wind (2400 Pa) and Snow Loads (5400 Pa)
- Excellent Performance in Low Light Environments

All ASW solar modules are guaranteed to perform for 25 years from the date of purchase. Performance standards insure linear production levels starting at 97.5% at the end of the first year and a maximum decrease of only .07% each year thereafter.

- 5 years at 95% or above
- 5 more years at 90% or above
- 15 more years at 80% or above
- 10 year material & workmanship guarantee

Function

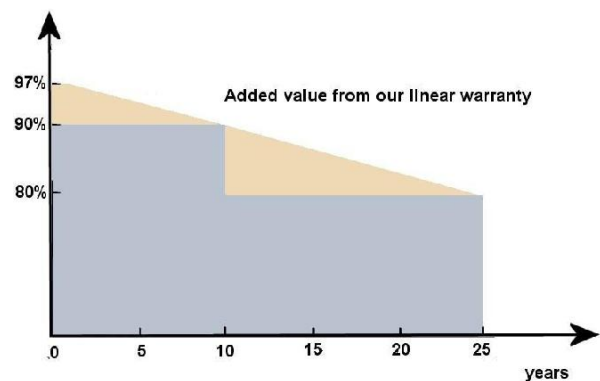
- Off-grid
- RV and Boat
- 12 V Battery Charging

Precautions

Only qualified personnel should install or perform

Installation Manual before installation. Be aware of dangerous high DC voltage; Do not install modules when wet or broken.

Linear Warranty



©2018 American Solar Wholesale. All rights reserved. Contents included in this datasheet are subject to change without notice.

Electrical

Maximum Power at STC (Pmax)	20 W
Optimum Operating Voltage (Vmp)	17.7 V
Optimum Operating Current (Imp)	1.15 A
Open-Circuit Voltage (Voc)	21.4 V
Short-Circuit Current (Isc)	1.25 A
Maximum System Voltage	600 VDC

STC: Irradiance 1000 W/m², module temperature 25°C, AM=1.5

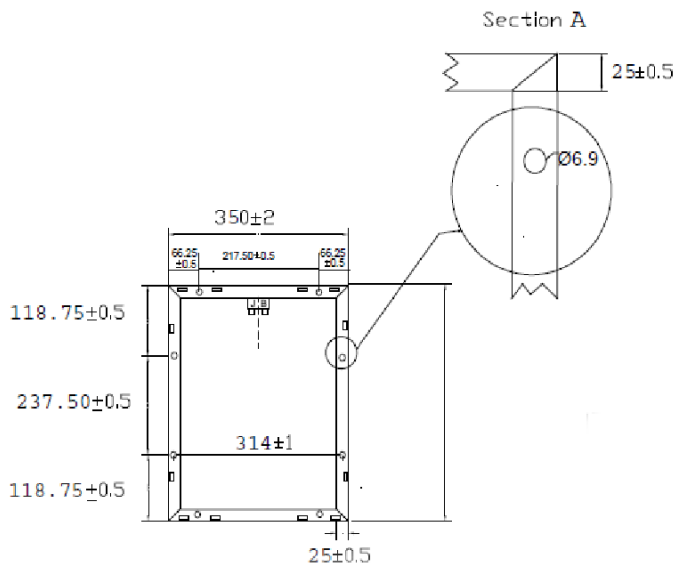
Mechanical

Solar Cell	Monocrystalline
Cells	36
Dimensions	13" x 18" x 0.90" (Inch)
Weight	(4.41 lbs.)
Front Glass	3.2 mm (0.13 inches) tempered glass
Frame	Anodized aluminum alloy
Junction Box	IP65 rated
Output Cables	4.0 mm ² (0.006 inches ²), 800mm (31.5 inches)
Connectors	MC4 connectors
Fire Rating	Class A (depending on racking assembly)

Maximum Ratings

Operating Module Temperature -40°C to +90°C

Diagram

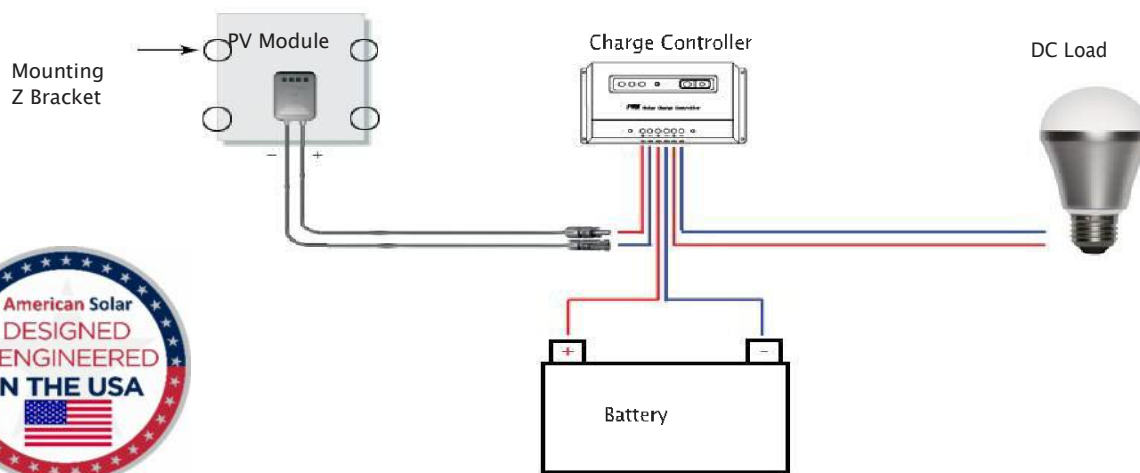


Dimensions are in mm.

Temperatures

Nominal Operating Cell Temperature	(NOCT) 47±2°C
Temperature Coefficient of Pmax	-0.44%/°C
Temperature Coefficient of Voc	-0.30%/°C
Temperature Coefficient of Isc	0.04%/°C

Wiring Diagram



Our modules are certified by 5 testing organizations:

